

DESIGN·RAIL® CUSTOM

Railing Options

DesignRail® Aluminum Railing Frame Systems combine the durability of aluminum with innovative design details. All rails and stanchions are made from high strength 6000-series aluminum extrusions with AAMA 2604 powder-coated finishes that can be cut and assembled on site using pre-engineered components that snap and screw together.

Feeney® offers many customization options to delight any customer: colors, infills, top rails, and more.

Select a railing height

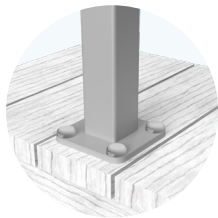
DesignRail® Custom has three standard heights available: 36-in, 39-in, and 42-in. Posts come pre-cut for level railings in one of these standard heights. Stair and custom posts must be cut to height in the field.



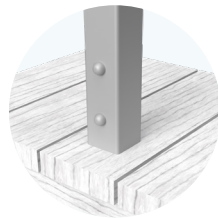
Building codes in your area may require your rails to meet a minimum height. Consult a contractor to understand local building codes when choosing a height for the project. Custom heights available.

Select a mounting type

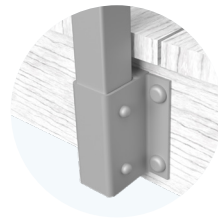
Posts can be mounted in one of four ways, see *mounting details on page 17*.



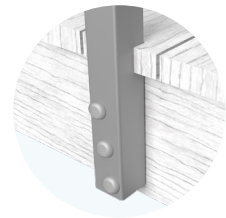
BASE MOUNT



STANCHION MOUNT



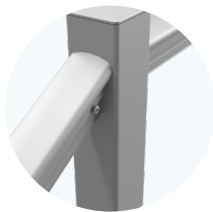
FASCIA BRACKET MOUNT



FASCIA MOUNT

Select a Top Rail

Top Rails come in 4 styles and are sold in 10 and 20 foot lengths to be trimmed to size in the field. Series 150 is attached in between posts using Rail Connecting Brackets (RCBs). All other Top Rails rest on top of the posts and are secured with stainless steel screws (see *page 17 for details*). Hand Rails with extensions are available to meet code hand rail requirements (see *page 23 for handrail details*).



GRASPABLE
SERIES 150



RECTANGULAR
SERIES 200



ELLIPTICAL
SERIES 350



LOW-PROFILE
SERIES 450

(can be used with wood or composite cap rail, NOT INCLUDED)

Select a Color

18 powder-coated colors available, including Wood Grain Top Rail for Series 150 and 200. See *details on page 18*.



Railing Options (continued)



Select an Infill option

HORIZONTAL CABLERAIL



with No Bottom Rail



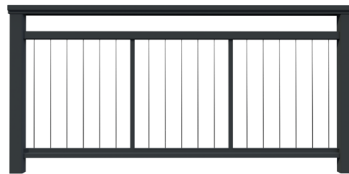
with Bottom Rail



with Bottom Rail & Intermediate Rail



VERTICAL CABLERAIL



with Intermediate Rail

LASER-CUT ALUMINUM



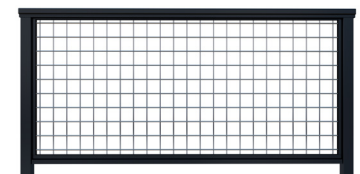
(9 unique designs available, custom design services)

ALUMINUM PICKET



with Intermediate Rail

STAINLESS STEEL MESH



(4 unique designs available in stock)

TEMPERED GLASS



with Intermediate Rail

RESIN



(9 unique Interior Use Only designs)

Full product details and installation instructions can be found on our website feeneyinc.com/product/aluminum-railing

MORE INFO:



RESIDENTIAL & COMMERCIAL APPLICATIONS



DesignRail® Custom Horizontal CableRail Infill

Make your railing view-friendly with the original stainless steel cable infill.

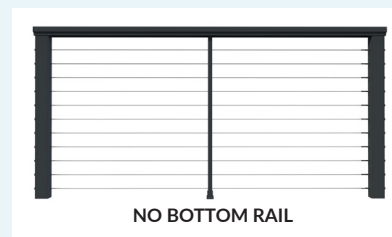
FLEXIBLE FRAME DESIGN

- Powder-coated aluminum with stainless steel fasteners
- Posts and pickets are pre-drilled for CableRail Kits, with or without Bottom Rail
- 6' on center max. post spacing
- 36", 39", or 42" standard heights (custom heights available) both level and stair applications
- Infill works with all Mounting options, Top Rail styles
- Can be used for Custom Gates
- Compatible with Post Accent Lights, LED Top and Bottom Rail Lighting, Stainless Steel Pickets, Handrails

HORIZONTAL CABLERAIL INFILL

- Pre-fabricated 1/8" or 3/16" diameter CableRail Kits include all of the attachment hardware and come in standard lengths (1/8" comes in Standard or Conceal)
- Made from high quality 316-grade stainless steel for weather-tough durability and very low maintenance
- A vertical intermediate picket is used mid-span to minimize cable deflection.

HORIZONTAL CABLERAIL OPTIONS



NO BOTTOM RAIL



WITH BOTTOM RAIL (recommended for 42"+)



WITH BOTTOM RAIL & Intermediate Rail

FRAME COLOR OPTIONS



- Durable, powder coated finishes adhere to AAMA-2604 coating specifications for superior color retention, impact resistance, and weather protection.
- Choose from the top selling colors listed here or go online to feeneyinc.com/color-selector to see more.



TEXTURED BLACK



BLACK



BRIGHT WHITE



BRONZE



SILVER



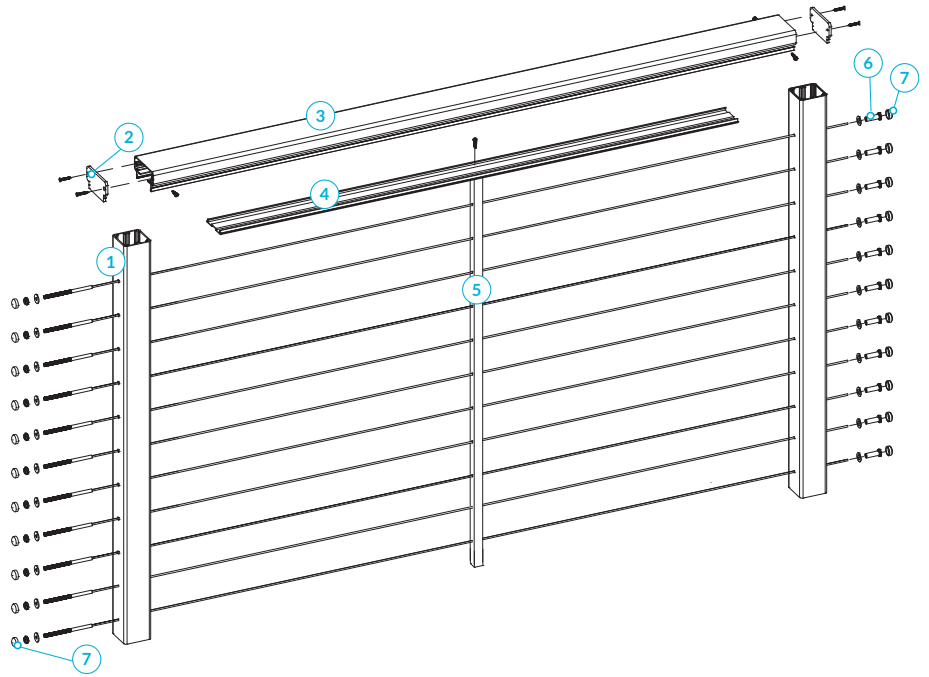
& MORE!

RESIDENTIAL & COMMERCIAL APPLICATIONS

ASSEMBLY DIAGRAM

HORIZONTAL CABLE RAILING COMPONENTS

- 1 Termination Post
- 2 Top Rail End Plate
- 3 Top Rail (Series 200 shown)
- 4 Top Rail Insert
- 5 Intermediate Picket
- 6 CableRail Kit (1/8")
- 7 End Cap



ALUMINUM FRAME & FASTENER SPECIFICATIONS

Extrusion Type	Alloy	Specification
Posts, RCBs, Splice Tubes, Fascia Brackets	6005A-T5	ASTM B221
Top Rail, Bottom Rail, Intermediate Rail, Snap Cap, Inserts, Pickets	6063-T6	ASTM B221 AMSQQA200/9
Handrail Extrusion	6063-T52	ASTM B221 ASTM B429

Fastener	Alloy	Specification
Lag Screws	Type 18-8 Stainless Steel	ANSI/ASME B18.2.1-2012
Thru-Bolts/Cap Screws	Type 18-8 Stainless Steel	ASTM F593017 CW
Assembly Screws	Type 410 Stainless Steel	ANSI/ASME B18.6.4

CABLERAIL SPECIFICATIONS

Alloy	Specification
Type 316 Stainless Steel	AISI Type 316 ASTM A492

MAINTENANCE GUIDELINES

Stainless steel cables should be cleaned periodically. Cleaning frequency will depend on the environmental conditions that the product is placed in. Feeney recommends our Stainless Steel Cleaner & Protectant Kit for maintaining stainless steel products. Alternatively, warm water and mild soap can be used.

Rinse your railing frame with fresh water. Remove dust and dirt with a soft cloth or sponge and a solution of mild soap and/or liquid detergent in water. Always use a soft, damp cloth to blot dry. Avoid harsh solutions or abrasive cleaning compounds, included but not limited to: alkaline or acidic cleaners, solutions containing trisodium phosphate, phosphoric acid, hydrofluoric acid, gasoline, benzene, acetone, carbon tetrachloride, certain deicing fluids, lacquer thinner or other strong solvents.

Product should be cleaned when the metal is shaded.

See [Warranty and Care brochure](#) or scan the QR code to learn more about our product maintenance guidelines and warranty information.



MORE INFO:



RESIDENTIAL & COMMERCIAL APPLICATIONS



DesignRail® Custom Vertical CableRail Infill

An alternative to traditional horizontal cable railing, vertical cable is the perfect solution when you want to preserve the view.

FLEXIBLE FRAME DESIGN

- Powder-coated aluminum with stainless steel fasteners
- Pre-drilled rails for CableRail, with Bottom Rail
- 6' on center max. post spacing
- 36", 39", or 42" standard heights (custom heights available) both level and stair applications
- Infill works with all Mounting options, Top Rail styles
- Can be used for Custom Gates
- Compatible with Post Accent Lights, and Handrails

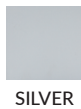
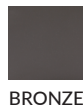
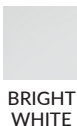
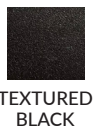
VERTICAL CABLERAIL INFILL

- 1/8" diameter 316-grade stainless steel cables come prefabricated to size with all of the attachment fittings, ready to install
- Made from high quality 316-grade stainless steel for weather-tough durability and very low maintenance
- Vertical intermediate pickets are spaced every 5 to 6 cables to maximize frame rigidity - very important as the pickets act as compression members to counteract the cable tension on the top and bottom rail, reducing top and bottom rail deformation.

FRAME COLOR OPTIONS



- Durable, powder coated finishes adhere to AAMA-2604 coating specifications for superior color retention, impact resistance, and weather protection.
- Choose from the top selling colors listed here or go online to feeneyinc.com/color-selector to see more.



TEXTURED BLACK

BLACK

BRIGHT WHITE

BRONZE

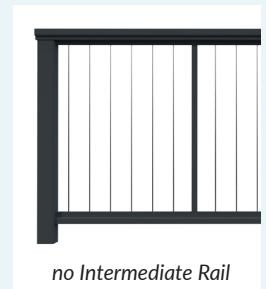
SILVER

& MORE!

VERTICAL CABLERAIL OPTIONS



with Intermediate Rail



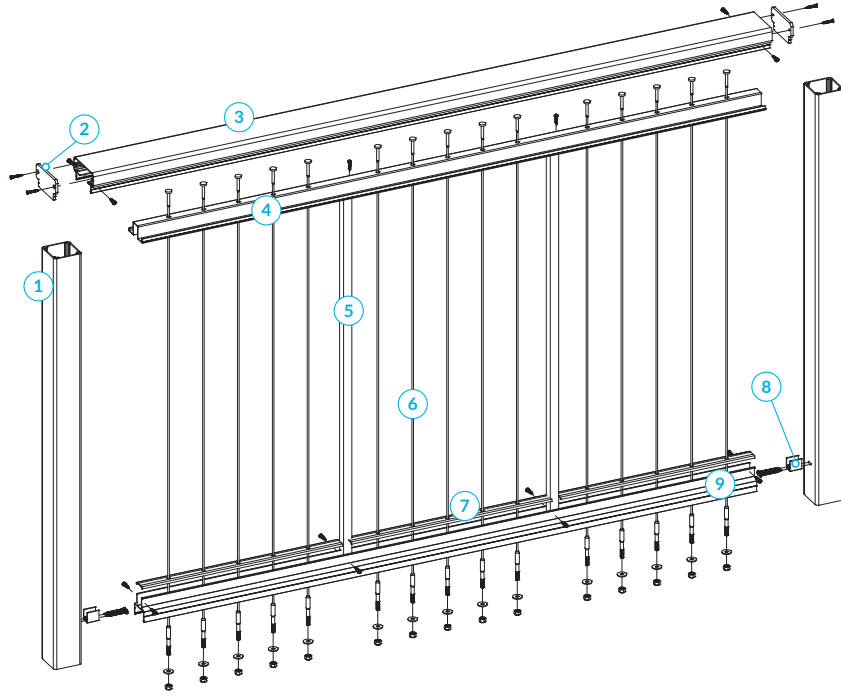
no Intermediate Rail

RESIDENTIAL & COMMERCIAL APPLICATIONS

ASSEMBLY DIAGRAM

VERTICAL CABLE RAILING COMPONENTS

- 1 Termination Post
- 2 Top Rail End Plate
- 3 Top Rail (Series 200 shown)
- 4 Top Rail Insert
- 5 Intermediate Picket
- 6 Vertical Cable Assembly
- 7 Snap Cap
- 8 Bottom Rail Bracket
- 9 Bottom Rail



ALUMINUM FRAME & FASTENER SPECIFICATIONS

Extrusion Type	Alloy	Specification
Posts, RCBs, Splice Tubes, Fascia Brackets	6005A-T5	ASTM B221
Top Rail, Bottom Rail, Intermediate Rail, Snap Cap, Inserts, Pickets	6063-T6	ASTM B221 AMSQQA200/9
Handrail Extrusion	6063-T52	ASTM B221 ASTM B429

Fastener	Alloy	Specification
Lag Screws	Type 18-8 Stainless Steel	ANSI/ASME B18.2.1-2012
Thru-Bolts/Cap Screws	Type 18-8 Stainless Steel	ASTM F593017 CW
Assembly Screws	Type 410 Stainless Steel	ANSI/ASME B18.6.4

CABLERAIL SPECIFICATIONS

Material	Specification
Type 316 Stainless Steel	AISI Type 316 ASTM A492

See [Warranty and Care brochure](#) or [scan the QR code](#) to learn more about our product maintenance guidelines and warranty information.



MAINTENANCE GUIDELINES

Stainless steel cables should be cleaned periodically. Cleaning frequency will depend on the environmental conditions that the product is placed in. Feeney recommends our Stainless Steel Cleaner & Protectant Kit for maintaining stainless steel products. Alternatively, warm water and mild soap can be used.

Rinse your railing frame with fresh water. Remove dust and dirt with a soft cloth or sponge and a solution of mild soap and/or liquid detergent in water. Always use a soft, damp cloth to blot dry. Avoid harsh solutions or abrasive cleaning compounds, included but not limited to: alkaline or acidic cleaners, solutions containing trisodium phosphate, phosphoric acid, hydrofluoric acid, gasoline, benzene, acetone, carbon tetrachloride, certain deicing fluids, lacquer thinner or other strong solvents.

Product should be cleaned when the metal is shaded.



MORE INFO:



RESIDENTIAL & COMMERCIAL APPLICATIONS



DesignRail® Custom Vertical Picket Infill

Traditional, elegant aluminum pickets give a classic look to your railing, powder coated to match the frame.

FLEXIBLE FRAME DESIGN

- Powder-coated aluminum with stainless steel fasteners
- 6' on center max. post spacing
- 36", 39" or 42" standard heights (custom heights available) both level and stair applications
- Infill works with all Mounting options, Top Rail styles
- Can be used for Custom Gates
- Compatible with Post Accent Lights, LED Bottom Rail Lighting, and Handrails

VERTICAL PICKET PANEL INFILL

- 3/4" square aluminum pickets powder-coated to match the frame color
- Available in pre-assembled panels that can be trimmed to length
- Each picket is secured to the top rail insert and bottom rail with screws for strength and durability. Eliminates unsightly welding joints with a clean, secure connection.

FRAME COLOR OPTIONS



- Durable, powder coated finishes adhere to AAMA-2604 coating specifications for superior color retention, impact resistance, and weather protection.
- Choose from the top selling colors listed here or go online to feeneyinc.com/color-selector to see more.



TEXTURED BLACK



BLACK



BRIGHT WHITE



BRONZE



SILVER



& MORE!

VERTICAL PICKET OPTIONS



with Intermediate Rail



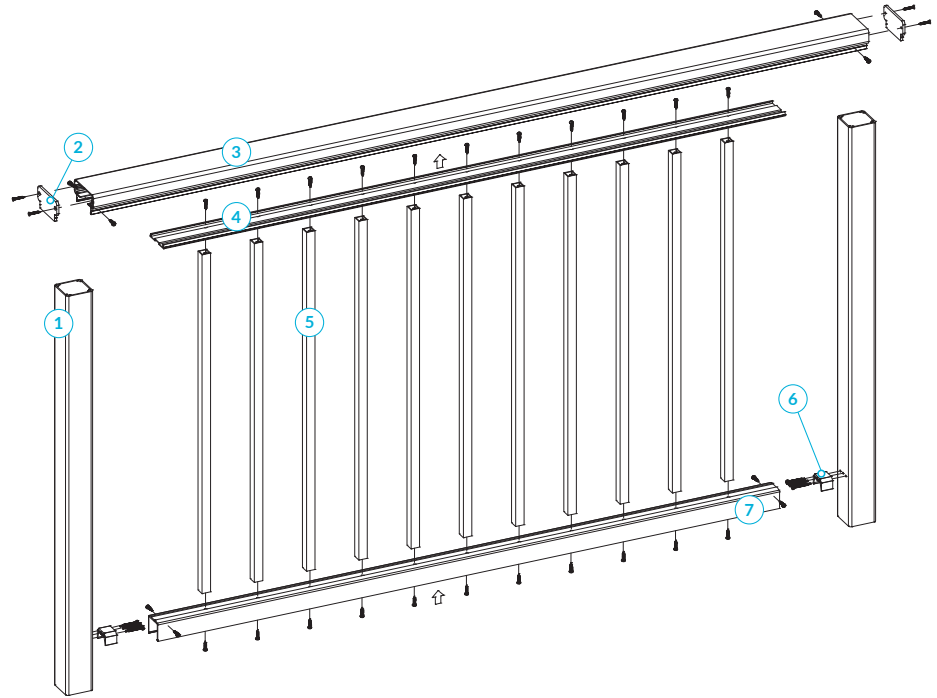
no Intermediate Rail

RESIDENTIAL & COMMERCIAL APPLICATIONS

ASSEMBLY DIAGRAM

VERTICAL PICKET RAILING COMPONENTS

- 1 Termination Post
- 2 Top Rail End Plate
- 3 Top Rail (Series 200 shown)
- 4 Top Rail Insert
- 5 Pickets
- 6 Bottom Rail Bracket
- 7 Bottom Rail



ALUMINUM FRAME & FASTENER SPECIFICATIONS

Extrusion Type	Alloy	Specification
Posts, RCBs, Splice Tubes, Fascia Brackets	6005A-T5	ASTM B221
Top Rail, Bottom Rail, Intermediate Rail, Snap Cap, Inserts, Pickets	6063-T6	ASTM B221 AMSQQA200/9
Handrail Extrusion	6063-T52	ASTM B221 ASTM B429

Fastener	Alloy	Specification
Lag Screws	Type 18-8 Stainless Steel	ANSI/ASME B18.2.1-2012
Thru-Bolts/Cap Screws	Type 18-8 Stainless Steel	ASTM F593017 CW
Assembly Screws	Type 410 Stainless Steel	ANSI/ASME B18.6.4

PICKET SPECIFICATIONS

Material	Specification
6063-T6	ASTM B221 AMSQQA200/9

See [Warranty and Care brochure](#) or [scan the QR code](#) to learn more about our product maintenance guidelines and warranty information.



MAINTENANCE GUIDELINES

Rinse your railing frame with fresh water. Remove dust and dirt with a soft cloth or sponge and a solution of mild soap and/ or liquid detergent in water. Always use a soft, damp cloth to blot dry. Avoid harsh solutions or abrasive cleaning compounds, included but not limited to: alkaline or acidic cleaners, solutions containing trisodium phosphate, phosphoric acid, hydrofluoric acid, gasoline, benzene, acetone, carbon tetrachloride, certain deicing fluids, lacquer thinner or other strong solvents.

Product should be cleaned when the metal is shaded.



MORE INFO:



RESIDENTIAL & COMMERCIAL APPLICATIONS



DesignRail® Custom Tempered Glass Infill

Sleek and durable, our tempered glass panels create a semi-transparent barrier to subtly divide your space.

FLEXIBLE FRAME DESIGN

- Powder-coated aluminum with stainless steel fasteners
- 6' on center max. post spacing
- 36", 39", or 42" standard heights (custom heights available) both level and stair applications
- Infill works with all Mounting options, Top Rail styles
- Can be used for Custom Gates
- Compatible with Post Accent Lights, LED Bottom Rail Lighting, and Handrails

TEMPERED GLASS PANEL INFILL

- 1/4" or 3/8" thick fully tempered glass panels
- Clear or custom tinted panels that are easily inserted into vinyl lined slots in the Top Rail and Bottom Rail
- No special mounting hardware needed
- Glass panels are pre-cut to fit the final opening measurements, after posts and rails are installed.

FRAME COLOR OPTIONS



- Durable, powder coated finishes adhere to AAMA-2604 coating specifications for superior color retention, impact resistance, and weather protection.
- Choose from the top selling colors listed here or go online to feeneyinc.com/color-selector to see more.



TEXTURED BLACK



BLACK



BRIGHT WHITE



BRONZE



SILVER



& MORE!

TEMPERED GLASS OPTIONS



with Intermediate Rail



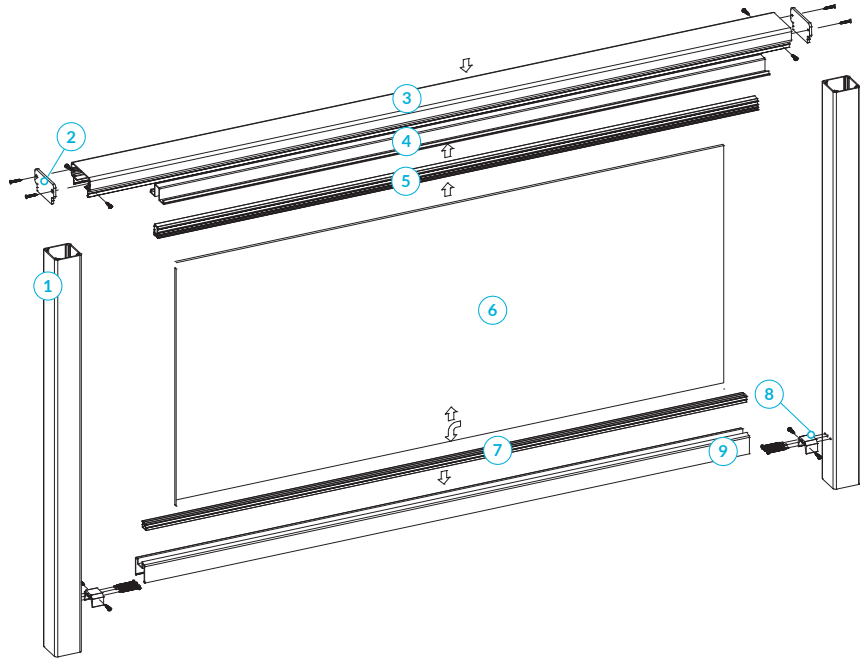
no Intermediate Rail

RESIDENTIAL & COMMERCIAL APPLICATIONS

ASSEMBLY DIAGRAM

TEMPERED GLASS RAILING COMPONENTS

- 1 Termination Post
- 2 Top Rail End Plate
- 3 Top Rail (Series 200 shown)
- 4 Top Rail Insert
- 5 Top Vinyl
- 6 Glass Panel
- 7 Bottom Vinyl
- 8 Bottom Rail Bracket
- 9 Bottom Rail



ALUMINUM FRAME & FASTENER SPECIFICATIONS

Extrusion Type	Alloy	Specification
Posts, RCBs, Splice Tubes, Fascia Brackets	6005A-T5	ASTM B221
Top Rail, Bottom Rail, Intermediate Rail, Snap Cap, Inserts, Pickets	6063-T6	ASTM B221 AMSQQA200/9
Handrail Extrusion	6063-T52	ASTM B221 ASTM B429

Fastener	Alloy	Specification
Lag Screws	Type 18-8 Stainless Steel	ANSI/ASME B18.2.1-2012
Thru-Bolts/Cap Screws	Type 18-8 Stainless Steel	ASTM F593017 CW
Assembly Screws	Type 410 Stainless Steel	ANSI/ASME B18.6.4

TEMPERED GLASS PANEL SPECIFICATIONS

Material	Specification
Fully tempered glass	ANSI Z97.1, ASTM C 1048-97b, CPSC 16 CFR 1201

MAINTENANCE GUIDELINES

To clean your tempered glass panels, start with a mild, non-abrasive dish soap mixed with water instead of a specialist glass cleaner. Make sure your water is free of any particles that might cause damage. Spray on the solution and wipe off with a clean sponge working your way from the top down.

Rinse your railing frame with fresh water. Remove dust and dirt with a soft cloth or sponge and a solution of mild soap and/or liquid detergent in water. Always use a soft, damp cloth to blot dry. Avoid harsh solutions or abrasive cleaning compounds, included but not limited to: alkaline or acidic cleaners, solutions containing trisodium phosphate, phosphoric acid, hydrofluoric acid, gasoline, benzene, acetone, carbon tetrachloride, certain deicing fluids, lacquer thinner or other strong solvents.

Product should be cleaned when the metal is shaded.

See [Warranty and Care brochure](#) or [scan the QR code](#) to learn more about our product maintenance guidelines and warranty information.



MORE INFO:



feeney 

DESIGNRAIL® CUSTOM | RESIN PANEL INFILL

RESIDENTIAL & COMMERCIAL APPLICATIONS



DesignRail® Custom Resin Panel Infill

Gorgeous organic materials embedded in durable, stylish resin produced by 3form—a leader in architectural materials.

FLEXIBLE FRAME DESIGN

- Indoor use ONLY
- Powder-coated aluminum with stainless steel fasteners
- 5' on center max. post spacing
- 36", 39" or 42" standard heights (custom heights available) both level and stair applications
- Infill works with all Mounting options, Top Rail styles
- Can be used for Custom Gates
- Compatible with Post Accent Lights and Handrails

feeney  + 3form

RESIN PANEL INFILL

- 1/4" thick resin panels by 3form
- Sandstone finish on both sides with subtle texture
- SCS-certified recycled content helps achieve LEED credits for building sustainability
- GREENGUARD Indoor Air Quality Certified
- Underwriters Laboratories registered
- Lightweight, half the density of glass which makes for easier installation
- Excellent chemical resistance which reduces potential harm incurred by cleaning agents
- Field trimmable width using straight edge and saw

RESIN PANEL OPTIONS



Bamboo Rings



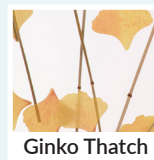
Bear Grass Lite



Connection Square Gray



Fossil Leaf Spade Random



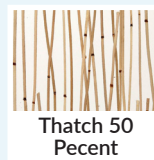
Ginkgo Thatch



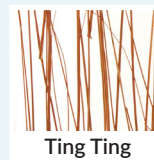
Kathali Grays



Rice Grass



Thatch 50 Percent



Ting Ting

FRAME COLOR OPTIONS



- Durable, powder coated finishes adhere to AAMA-2604 coating specifications for superior color retention, impact resistance, and weather protection.
- Choose from the top selling colors listed here or go online to feeneyinc.com/color-selector to see more.



TEXTURED BLACK



BLACK



BRIGHT WHITE



BRONZE



SILVER



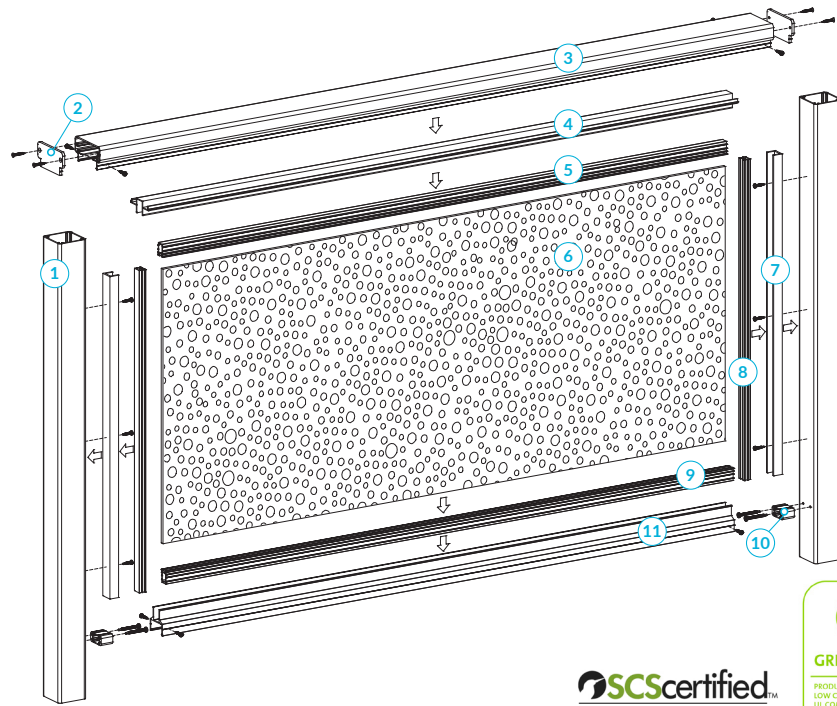
& MORE!

RESIDENTIAL & COMMERCIAL APPLICATIONS

ASSEMBLY DIAGRAM

RESIN PANEL RAILING COMPONENTS

- 1 Termination Post
- 2 Top Rail End Plate
- 3 Top Rail (Series 200 shown)
- 4 Top Rail Insert
- 5 Top Vinyl
- 6 Resin Panel
- 7 Side Channel
- 8 Side Vinyl
- 9 Bottom Vinyl
- 10 Bottom Rail Bracket
- 11 Bottom Rail



ALUMINUM FRAME & FASTENER SPECIFICATIONS

Extrusion Type	Alloy	Specification
Posts, RCBs, Splice Tubes, Fascia Brackets	6005A-T5	ASTM B221
Top Rail, Bottom Rail, Intermediate Rail, Snap Cap, Inserts, Pickets	6063-T6	ASTM B221 AMSQA200/9
Handrail Extrusion	6063-T52	ASTM B221 ASTM B429

Fastener	Alloy	Specification
Lag Screws	Type 18-8 Stainless Steel	ANSI/ASME B18.2.1-2012
Thru-Bolts/Cap Screws	Type 18-8 Stainless Steel	ASTM F593017 CW
Assembly Screws	Type 410 Stainless Steel	ANSI/ASME B18.6.4

RESIN PANEL SPECIFICATIONS

Material	Result/Rating	Specification
Smoke Density	Pass (71.6%)	ASTM D2843
Flame Spread	CC1	ASTM D635
Self-Ignition Temperature	Pass (716 °F)	ASTM D1929
Flame Spread	Class B	ASTM E84

MAINTENANCE GUIDELINES

Resin panels should be cleaned periodically. We recommend the use of the following common cleaning products: Windex, Formula 409, Simple Green, Fantastik, Maintex Oxy Citrus, Virex II, 10:1 Water/Bleach Solution.

Rinse the sheets with lukewarm water. (Be careful not to expose edges of organic or fabric interlayers to water) Remove dust and dirt with a soft cloth or sponge and a solution of mild soap and/or liquid detergent in water. A 50:50 solution of isopropyl alcohol and water also works well. Rinse thoroughly with lukewarm water.

Always use a soft, damp cloth to blot dry. Avoid harsh solutions or abrasive cleaning compounds, included but not limited to: alkaline or acidic cleaners, solutions containing trisodium phosphate, phosphoric acid, hydrofluoric acid, gasoline, benzene, acetone, carbon tetrachloride, certain deicing fluids, lacquer thinner or other strong solvents.

See [Warranty and Care brochure](#) or [scan the QR code](#) to learn more about our product maintenance guidelines and warranty information.



MORE INFO:



DESIGNRAIL® CUSTOM | LASER-CUT ALUMINUM PANEL INFILL

RESIDENTIAL & COMMERCIAL APPLICATIONS



DesignRail® Custom Laser-Cut Aluminum Panel Infill

Strong and stylish, these precision manufactured panels turn your railing into a centerpiece.

FLEXIBLE FRAME DESIGN

- Powder-coated aluminum with stainless steel fasteners
- 5' on center max. post spacing
- 36", 39", or 42" standard heights (custom heights available) both level and stair applications
- Infill works with all Mounting options, Top Rail styles
- Can be used for Custom Gates
- Compatible with Post Accent Lights and Handrails

ALUMINUM PANEL INFILL

- 3/16" thick aluminum panels
- Durable powder-coated finish on both sides
- 9 laser-cut patterns available, or design your own!

LASER-CUT ALUMINUM OPTIONS



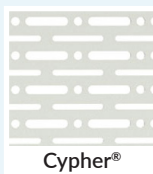
Agama®



Bound®



Cubist®



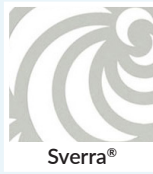
Cypher®



Pisces®



Seagrass®



Sverra®



Torrent®



Trillium®

FRAME/PANEL COLOR OPTIONS



- Durable, powder coated finishes adhere to AAMA-2604 coating specifications for superior color retention, impact resistance, and weather protection.
- Choose from the top selling colors listed here or go online to feeneyinc.com/color-selector to see more.



TEXTURED BLACK



BLACK



BRIGHT WHITE



BRONZE



SILVER



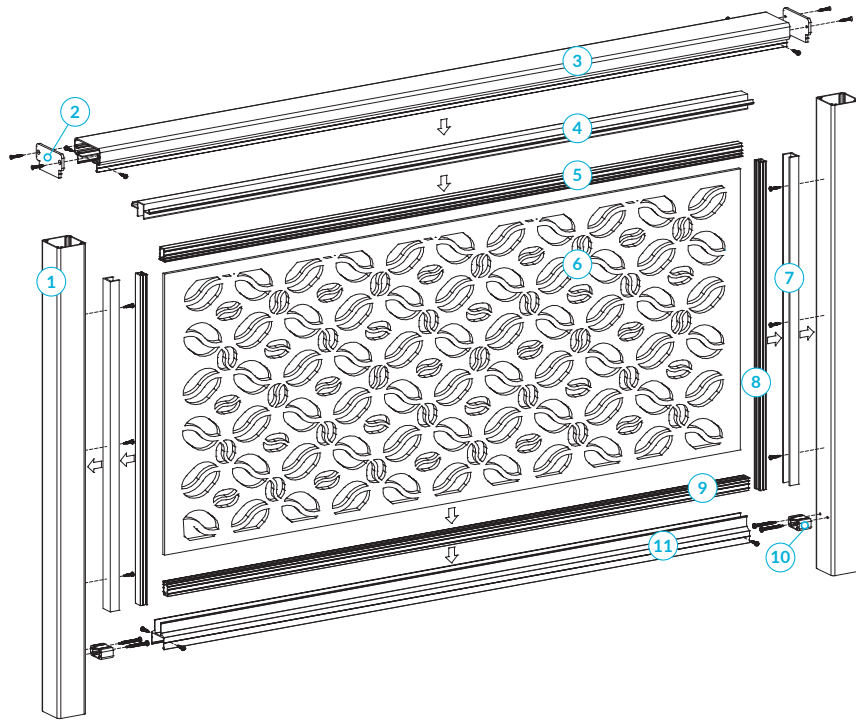
& MORE!

RESIDENTIAL & COMMERCIAL APPLICATIONS

ASSEMBLY DIAGRAM

ALUMINUM PANEL RAILING COMPONENTS

- 1 Termination Post
- 2 Top Rail End Plate
- 3 Top Rail (Series 200 shown)
- 4 Top Rail Insert
- 5 Top Vinyl
- 6 Aluminum Panel
- 7 Side Channel
- 8 Side Vinyl
- 9 Bottom Vinyl
- 10 Bottom Rail Bracket
- 11 Bottom Rail



ALUMINUM FRAME & FASTENER SPECIFICATIONS

Extrusion Type	Alloy	Specification
Posts, RCBs, Splice Tubes, Fascia Brackets	6005A-T5	ASTM B221
Top Rail, Bottom Rail, Intermediate Rail, Snap Cap, Inserts, Pickets	6063-T6	ASTM B221 AMSQA200/9
Handrail Extrusion	6063-T52	ASTM B221 ASTM B429

Fastener	Alloy	Specification
Lag Screws	Type 18-8 Stainless Steel	ANSI/ASME B18.2.1-2012
Thru-Bolts/Cap Screws	Type 18-8 Stainless Steel	ASTM F593017 CW
Assembly Screws	Type 410 Stainless Steel	ANSI/ASME B18.6.4

LASER-CUT ALUMINUM PANEL SPECIFICATIONS

Material	Specification
Aluminum Panel	5052-T52
Powder-Coating	AAMA 2604

See [Warranty and Care brochure](#) or [scan the QR code](#) to learn more about our product maintenance guidelines and warranty information.



MAINTENANCE GUIDELINES

Laser-Cut Aluminum panels should be cleaned periodically. Cleaning frequency will depend on the environmental conditions that the product is placed in. Feeney recommends warm water and mild soap.

Rinse the panels with fresh water. Remove dust and dirt with a soft cloth or sponge and a solution of mild soap and/or liquid detergent in water.

Always use a soft, damp cloth to blot dry. Avoid harsh solutions or abrasive cleaning compounds, included but not limited to: alkaline or acidic cleaners, solutions containing trisodium phosphate, phosphoric acid, hydroflouric acid, gasoline, benzene, acetone, carbon tetrachloride, certain deicing fluids, lacquer thinner or other strong solvents.

Product should be cleaned when the metal is shaded.



MORE INFO



RESIDENTIAL & COMMERCIAL APPLICATIONS



DesignRail® Custom Stainless Steel Mesh Panel Infill

The perfect balance of substance and visibility, marine-grade stainless steel mesh panels elevate any indoor or outdoor area.

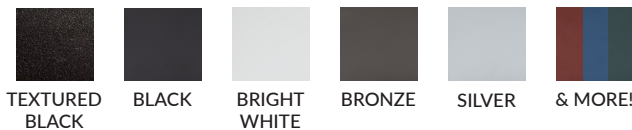
FLEXIBLE FRAME DESIGN

- Powder-coated aluminum with stainless steel fasteners
- 5' on center max. post spacing
- 36", 39" or 42" standard heights (custom heights available) both level and stair applications
- Infill works with all Mounting options, Top Rail styles
- Can be used for Custom Gates
- Compatible with Post Accent Lights and Handrails

FRAME COLOR OPTIONS



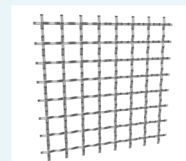
- Durable, powder coated finishes adhere to AAMA-2604 coating specifications for superior color retention, impact resistance, and weather protection.
- Choose from the top selling colors listed here or go online to feeneyinc.com/color-selector to see more.



STAINLESS STEEL MESH PANEL INFILL

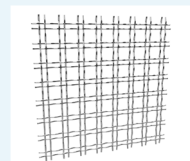
- Polished and passivated 316 stainless steel mesh panels
- Multiple patterns available with a variety of wire diameters, crimp patterns, and spacing
- Field trimmable width using straight edge and angle grinder with cut-off wheel

STAINLESS STEEL MESH OPTIONS



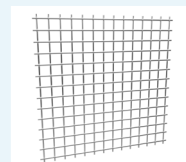
Allure®

0.120" Diameter Wire
1.5" Mesh, Double Wire



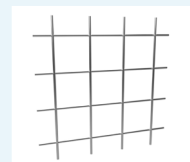
Dazzle®

0.120" Diameter Wire
1" Mesh, Basket Press Top



Metropolitan®

0.105" Diameter Wire
.75" Mesh,
Smooth Lock Crimp



Horizon®

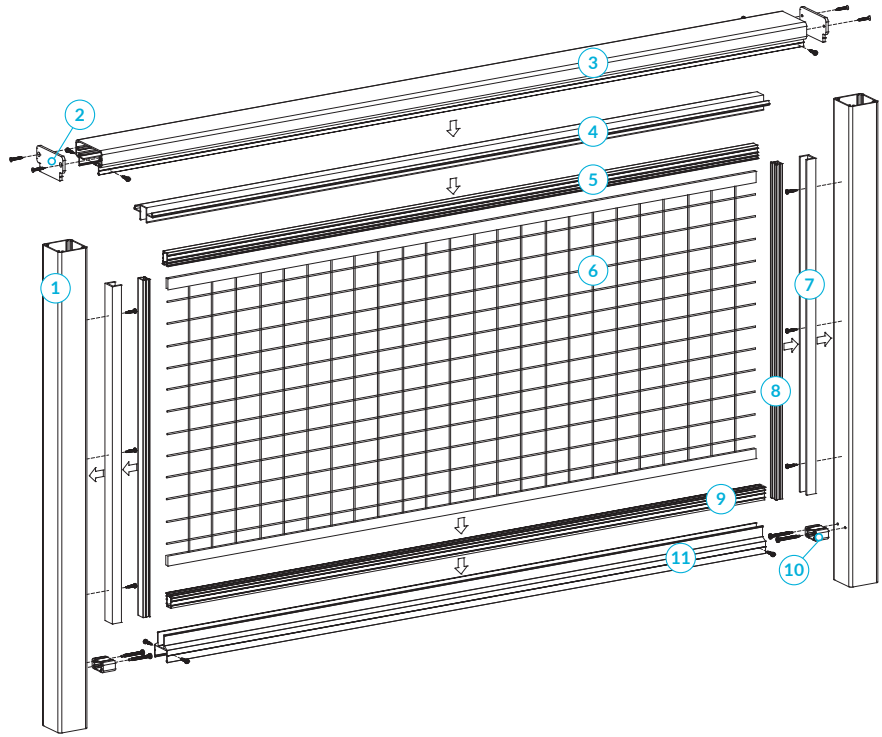
0.185" Diameter Wire
3" Mesh,
Welded Wire (no weave)

RESIDENTIAL & COMMERCIAL APPLICATIONS

ASSEMBLY DIAGRAM

SS MESH PANEL RAILING COMPONENTS

- 1 Termination Post
- 2 Top Rail End Plate
- 3 Top Rail (Series 200 shown)
- 4 Top Rail Insert
- 5 Top Vinyl
- 6 Mesh Panel
- 7 Side Channel
- 8 Side Vinyl
- 9 Bottom Vinyl
- 10 Bottom Rail Bracket
- 11 Bottom Rail



ALUMINUM FRAME & FASTENER SPECIFICATIONS

Extrusion Type	Alloy	Specification
Posts, RCBs, Splice Tubes, Fascia Brackets	6005A-T5	ASTM B221
Top Rail, Bottom Rail, Intermediate Rail, Snap Cap, Inserts, Pickets	6063-T6	ASTM B221 AMSQQA200/9
Handrail Extrusion	6063-T52	ASTM B221 ASTM B429

Fastener	Alloy	Specification
Lag Screws	Type 18-8 Stainless Steel	ANSI/ASME B18.2.1-2012
Thru-Bolts/Cap Screws	Type 18-8 Stainless Steel	ASTM F593017 CW
Assembly Screws	Type 410 Stainless Steel	ANSI/ASME B18.6.4

STAINLESS STEEL MESH PANEL SPECIFICATIONS

Material	Specification
Stainless Steel Mesh Panel	Type 316

See [Warranty and Care brochure](#) or [scan the QR code](#) to learn more about our product maintenance guidelines and warranty information.



MAINTENANCE GUIDELINES

Stainless steel panels should be cleaned periodically. Cleaning frequency will depend on the environmental conditions that the product is placed in. Feeney recommends our Stainless Steel Cleaner & Protectant Kit for maintaining stainless steel products. Alternatively, warm water and mild soap can be used.

Rinse the panels with fresh water. Remove dust and dirt with a soft cloth or sponge and a solution of mild soap and/or liquid detergent in water.

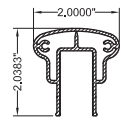
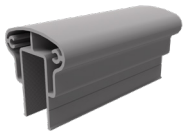
Always use a soft, damp cloth to blot dry. Avoid harsh solutions or abrasive cleaning compounds, included but not limited to: alkaline or acidic cleaners, solutions containing trisodium phosphate, phosphoric acid, hydrofluoric acid, gasoline, benzene, acetone, carbon tetrachloride, certain deicing fluids, lacquer thinner or other strong solvents.

Product should be cleaned when the metal is shaded.



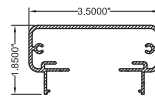
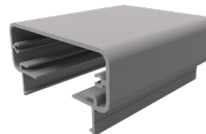
DesignRail® Custom Top Rail Options

SERIES 150



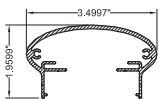
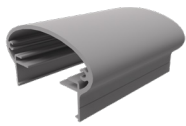
- 2" wide graspable top rail for stair and level railings
- Post to post, attached using Rail Connecting Brackets (RCBs) and stainless steel screws
- Meets residential code requirements for stair hand rail sizing; requires a hand rail when used on stairs for commercial
- Available in 18 ColorEasy™ colors

SERIES 200



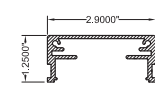
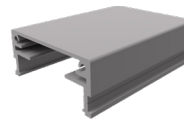
- 3-1/2" wide rectangular top rail for stair and level railings
- Flat surface can serve as a drink rail
- Requires a hand rail when used on stairs for residential and commercial
- Rests on the tops of the posts, secured with stainless steel screws
- Available in 18 ColorEasy™ colors

SERIES 350



- 3-1/2" wide elliptical top rail for both stair and level railings.
- Sleek, stylish design for a less angular top rail appearance
- Requires a hand rail when used on stairs for residential and commercial
- Rests on the tops of the posts, secured with stainless steel screws
- Available in 15 ColorEasy™ colors

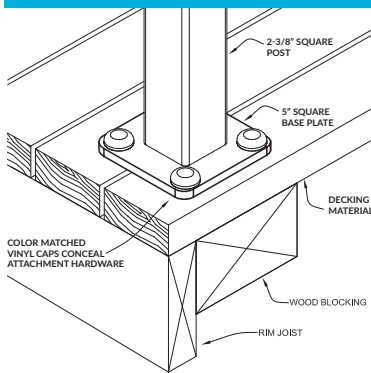
SERIES 450



- Low-profile top rail for both stair and level railings
- Can be used as stand-alone or with a wood or composite cap rail (not included)
- Requires a hand rail when used on stairs for residential and commercial
- Rests on the tops of the posts, secured with stainless steel screws
- Available in 15 ColorEasy™ colors

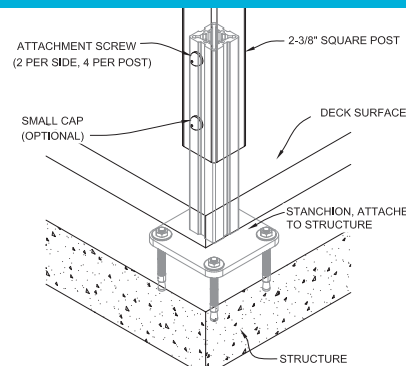
Mounting Options

BASE MOUNT



For top mounting to deck, patio or stair tread surfaces. 5" square base plates come pre-attached for level conditions, loose for stair applications. Narrow and offset base plates also available.

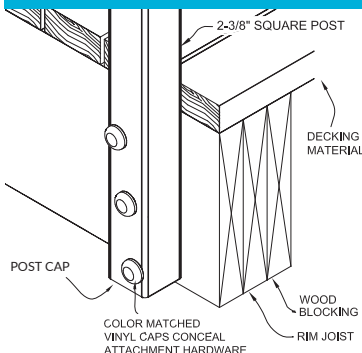
STANCHION MOUNT



For mounting with stone or tile covered concrete slabs or on roof decks where penetration of waterproof roofing membranes must be minimized. Short stanchions are attached to the structural members prior to pouring the slab or laying the roof membrane.

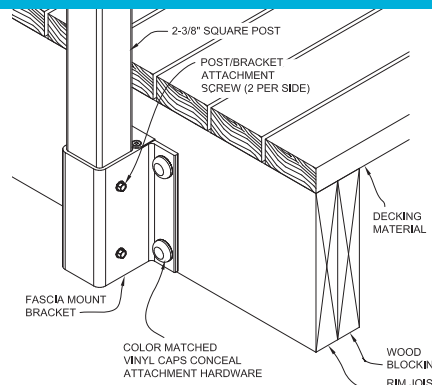
Stanchions are available in steel, aluminum, or stainless steel.

FASCIA MOUNT



For side mounting to fascia boards, joists or walls. Posts come with pre-drilled mounting hardware holes. Number of holes may vary upon application. Posts come with pre-drilled mounting hardware holes. Number of holes may vary upon application.

FASCIA BRACKET MOUNT



For side mounting to fascia boards, joists or walls. Brackets come with pre-drilled mounting hardware holes. Number of holes may vary upon application.

DesignRail® Custom Powder-Coated Aluminum Colors



FOR DESIGNRAIL® FRAMES, LASER-CUT ALUMINUM
PANELS, AND ALUMINUM PICKETS



BRIGHT WHITE

MODERN WHITE

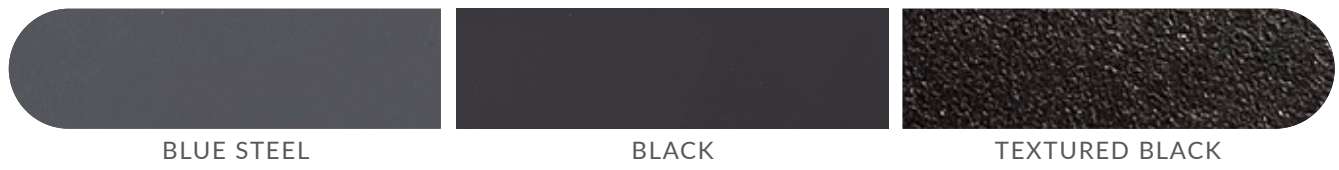
COFFEE CREAM



SILVER

DOVE GRAY

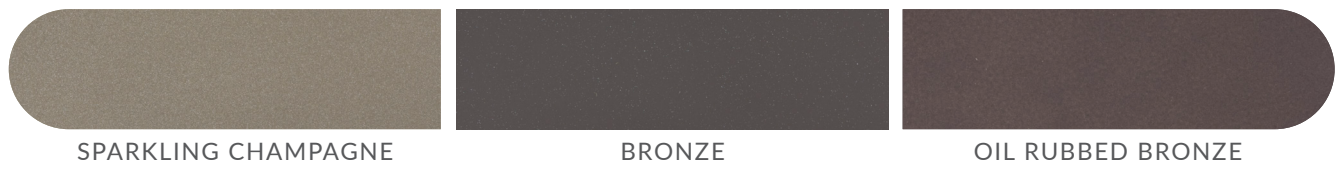
IRON GRAY



BLUE STEEL

BLACK

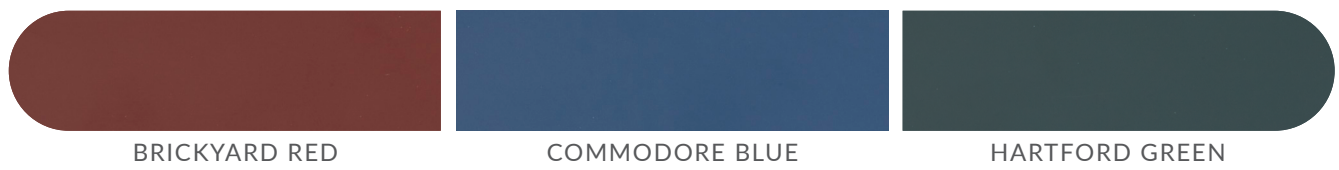
TEXTURED BLACK



SPARKLING CHAMPAGNE

BRONZE

OIL RUBBED BRONZE



BRICKYARD RED

COMMODORE BLUE

HARTFORD GREEN

SERIES 150 OR 200 DESIGNRAIL® TOP RAILS ONLY



CHERRY

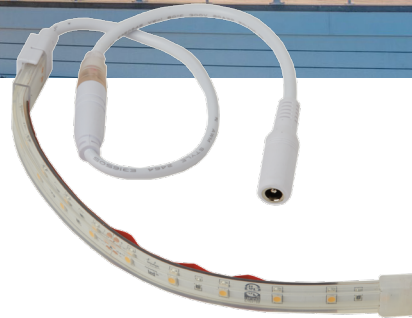
WEATHERED GRAY

WALNUT

MORE INFO:



DesignRail® Custom LED Rail Lighting



Feeney 24V Wet Location Strip Light is a versatile, linear light that provides high output lighting for indoor and outdoor applications. High lumen output makes it ideal for railing lighting, as well as an efficient ambient light when installed with a compatible dimmer switch. This strip features a flexible, weather-proof housing that resists the elements and dust.

- Fully dimmable using 24V magnetic dimmable driver kits and compatible dimmer switch
- Installation is a breeze by surface mounting with integrated VHB tape
- Maintains UL Listing even after it is cut in the field
- Excellent warranty: Light Strips (7 years) and Power Supplies (5 years)

LIGHTING CAPABILITY

INFILL TYPE	TOP RAIL	BOTTOM RAIL
Horizontal CableRail	●	●
Tempered Glass Panel		●
Vertical Picket Panel		●

SPECIFICATIONS

VOLTAGE: 24V DC
BRIGHTNESS: 114 lumens/ft
COLOR (CCT): 3500K
COLOR RENDERING INDEX (CRI): 90+
POWER CONSUMPTION: 1046 watts/ft
UL CERTIFICATION: UL Listed (maintained after cut in field)
IP Rating: IP65
CONDITIONS: Wet rated
INSTALLATION CONDITIONS: Max run length of 55 ft.



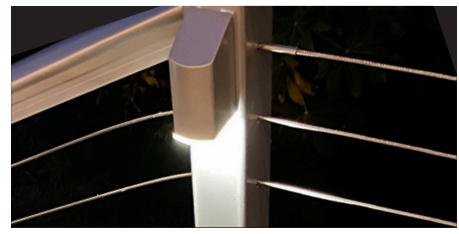
MORE INFO:



DesignRail® Custom LED Post Accent Lighting

The decorative aluminum sconce has a durable powder-coated finish and attaches to the post face to create a beautiful down light; great for stair railing accents. The sconce can be finished to match the railing frame color, and can be used with all infill options.

- Powder-coated sconce to match railing frame
- Fully dimmable using 24V magnetic dimmable driver kits and compatible dimmer switch
- Installation is a breeze!
- UL Listed
- Excellent warranty: Aluminum Sconce (10 years) and Power Supplies (5 years)
- Compatible with all post types regardless of infill



SPECIFICATIONS

VOLTAGE: 24V DC
BRIGHTNESS: 114 lumens/ft
COLOR (CCT): 3500K
COLOR RENDERING INDEX (CRI): 90+
POWER CONSUMPTION: 1046 watts/ft
UL CERTIFICATION: UL Listed
IP Rating: IP65
CONDITIONS: Wet rated
MATERIAL: Powder-Coated Aluminum



MORE INFO:



feeney®

DESIGNRAIL® CUSTOM | GATES



DesignRail® Custom Custom Gates

Powder-coated aluminum gates are pre-welded, are easy to install, and include the gate hardware. Any infill type and top rail can be used to match the railing design.

FLEXIBLE FRAME/INFILL DESIGN

- Powder-Coated Aluminum
- Pre-welded with easy to install gate hardware
- 36" or 42" standard heights
(also available in custom heights)
- Compatible with all Top Rail profiles
- Can use any infill type

FRAME COLOR OPTIONS



- Durable, powder coated finishes adhere to AAMA-2604 coating specifications for superior color retention, impact resistance, and weather protection.
- Choose from the top selling colors listed here or go online to feeneyinc.com/ColorEasy to see more.



TEXTURED BLACK



BLACK



BRIGHT WHITE



BRONZE



SILVER



& MORE!

GATE HARDWARE

Made from UV stabilized, super strong engineered polymer and stainless steel.

Designed for exceptional durability and lasting, reliable performance. Easy installation and adjustment with smooth working action.



HINGE KIT INCLUDES:

- (2) Gate Hinges
- All mounting hardware

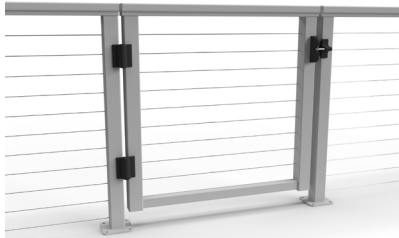


LOCK KIT INCLUDES:

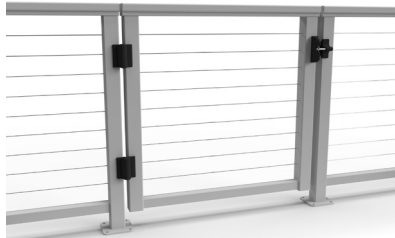
- (1) Key-lockable gate latch, black
- (1) 4-7/16" H with 5/16" latch with pin
- All mounting hardware

GATE INFILL OPTIONS

Custom fabricated to size and available for all railing styles and infill types.



Horizontal Cable Infill with No Bottom Rail



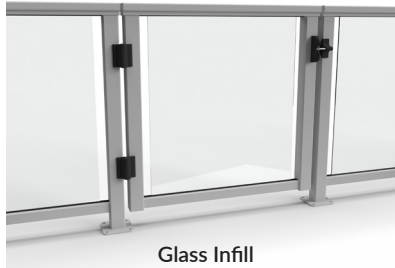
Horizontal Cable Infill with Bottom Rail



Vertical Cable Infill



Aluminum Picket Infill



Glass Infill



Panel Infill (Mesh and Laser only)

Extrusion Type	Alloy	Specification
Posts, RCBs, Splice Tubes, Fascia Brackets	6005A-T5	ASTM B221
Top Rail, Bottom Rail, Intermediate Rail, Snap Cap, Inserts, Pickets	6063-T6	ASTM B221 AMSQA200/9
Handrail Extrusion	6063-T52	ASTM B221 ASTM B429

Fastener	Alloy	Specification
Lag Screws	Type 18-8 Stainless Steel	ANSI/ASME B18.2.1-2012
Thru-Bolts/Cap Screws	Type 18-8 Stainless Steel	ASTM F593017 CW
Assembly Screws	Type 410 Stainless Steel	ANSI/ASME B18.6.4

CABLERAIL SPECIFICATIONS

Alloy	Specification
Type 316 Stainless Steel	AISI Type 316 ASTM A492

TEMPERED GLASS PANEL SPECIFICATIONS

Material	Specification
Fully tempered glass	ANSI Z97.1, ASTM C 1048-97b, CPSC 16 CFR 1201

PICKET SPECIFICATIONS

Material	Specification
6063-T6	ASTM B221 AMSQA200/9

LASER-CUT ALUMINUM PANEL SPECIFICATIONS

Material	Specification
Aluminum Panel	5052-T52
Powder-Coating	AAMA 2604

See [Warranty and Care brochure](#) or [scan the QR code](#) to learn more about our product maintenance guidelines and warranty information.



STAINLESS STEEL MESH PANEL SPECIFICATIONS

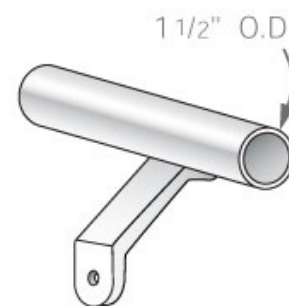
Material	Specification
Stainless Steel Mesh Panel	Type 316

MORE INFO



DesignRail® Custom Code Compliant Handrails

Powder-coated aluminum, custom bent hand rails are pre-welded and include the installation hardware and splice tubes for easy assembly.



FLEXIBLE HANDRAIL DESIGN

- Powder-coated aluminum
- Pre-welded with easy to install hardware
- 1-1/2" diameter, aluminum hand rails to meet stair railing code requirements.
- Custom bent and fabricated, ready to install
- Compatible with all Post types
- ADA Compliant option
- Available for ramps

FRAME COLOR OPTIONS



- Durable, powder coated finishes adhere to AAMA-2604 coating specifications for superior color retention, impact resistance, and weather protection.
- Choose from the top selling colors listed here or go online to feeneyinc.com/color-selector to see more.



TEXTURED BLACK



BLACK



BRIGHT WHITE



BRONZE



SILVER



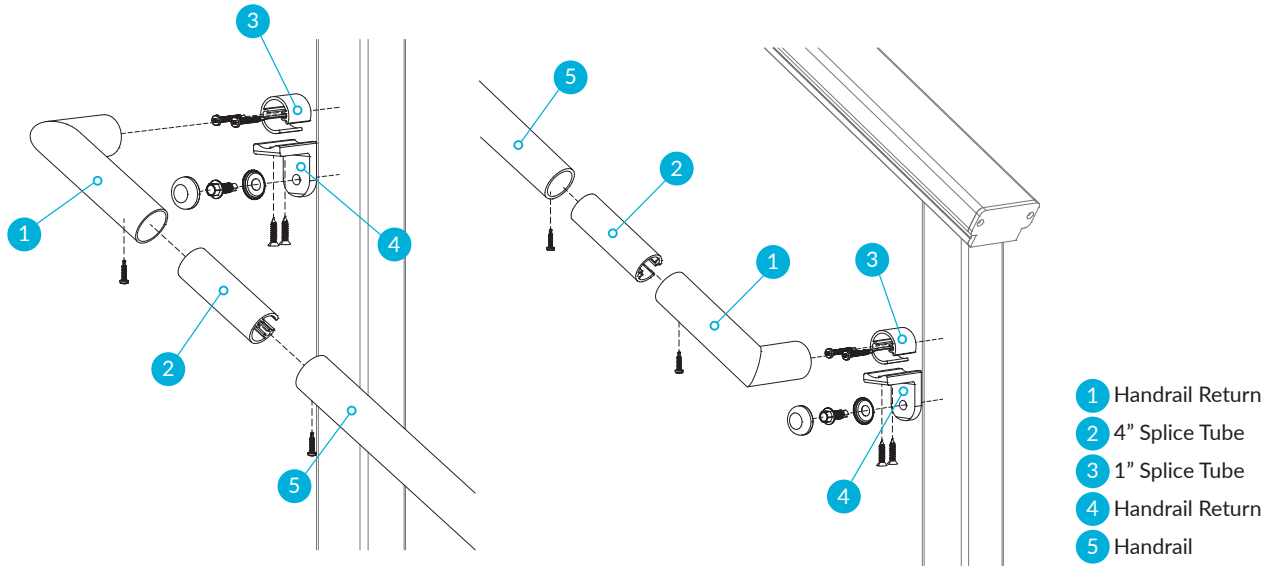
& MORE!



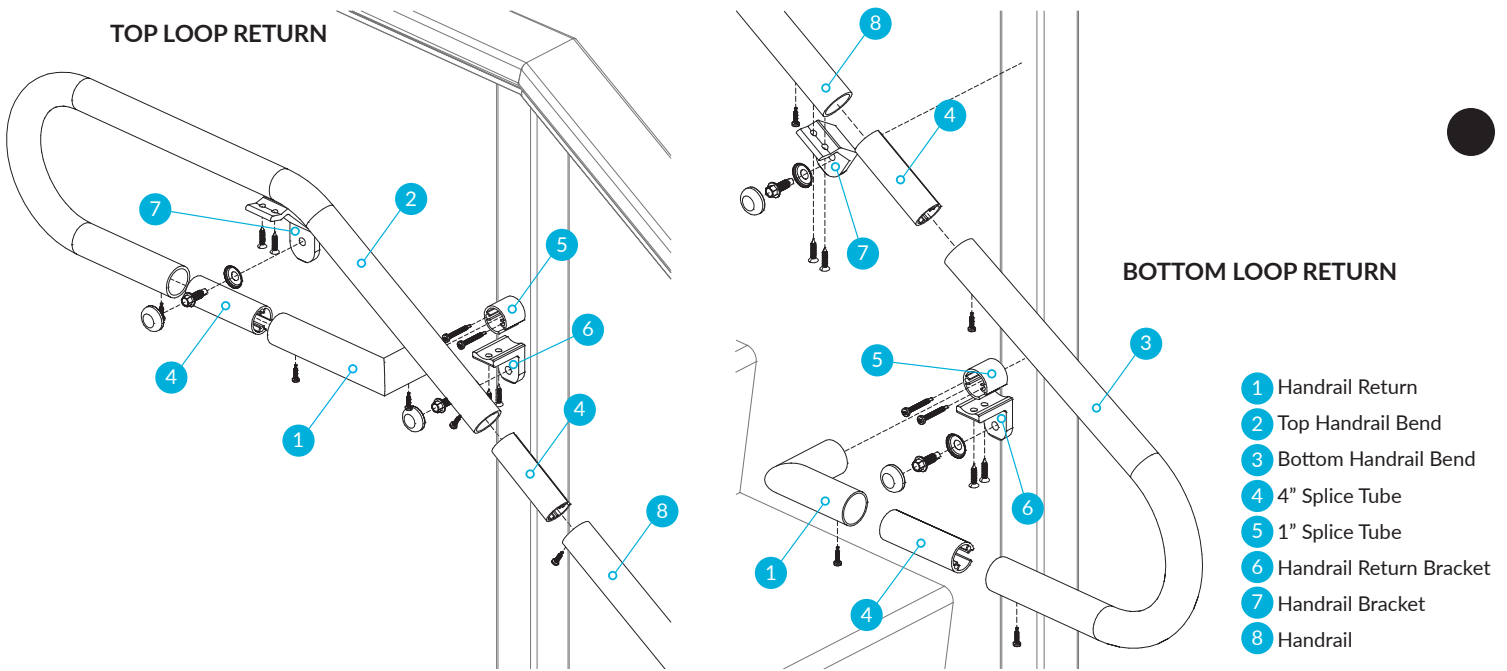
ASSEMBLY DIAGRAMS



RESIDENTIAL CODE COMPLIANT HANDRAIL (use when not using Top Rail Series 150/250)



ADA CODE COMPLIANT HANDRAIL (incorporates both top and bottom looped returns)



See Warranty and Care brochure or scan the QR code to learn more about our product maintenance guidelines and warranty information.



MAINTENANCE GUIDELINES

Rinse the handrails with fresh water. Remove dust and dirt with a soft cloth or sponge and a solution of mild soap and/or liquid detergent in water.

Always use a soft, damp cloth to blot dry. Avoid harsh solutions or abrasive cleaning compounds, included but not limited to: alkaline or acidic cleaners, solutions containing trisodium phosphate, phosphoric acid, hydrofluoric acid, gasoline, benzene, acetone, carbon tetrachloride, certain deicing fluids, lacquer thinner or other strong solvents.

Product should be cleaned when the metal is shaded.



DesignRail® Custom Request for Quote

DesignRail® Custom railings are easily adaptable to any exterior, interior, commercial, or residential project. Simply choose from the style options below to create your perfect railing design. When complete, email form to sales@feeneyinc.com and we will connect you with your local dealer. If you need a contractor, try our Feeney Preferred Contractor locator: feeneyinc.com/installer-locator/ * indicates required field

* Dealer Name & Location _____

* Dealer Contact Person _____

* Dealer Phone _____

* Dealer Email _____

* Customer/Project Name _____

* Project Shipping Address _____

Project Timeline _____

* Project Type Residential - New Residential - Remodel
 Commercial - New Commercial - Remodel

* Project Location Indoor Inland
 Outdoor Coastal (Salt Water)
 Distance from water _____

Feeney Representative _____

STEP 1 Select Railing Height

36-in 39-in 42-in

Building codes in your area may require your rails to meet a minimum height. Consult your local building codes when choosing a height for your project.

STEP 2 Select Mounting

MOUNTING OPTIONS

Base
 Base Plate Covers

Stanchion

Core

Direct Fascia

Fascia Bracket

MOUNTING SURFACE

Wood

Composite over Wood

Concrete Slab

Other _____

FASCIA DETAILS

Fascia Height

Thickness (include fascia, trim board and blocking)

Height

Thickness

STEP 3 Select Infill

1/8" HORIZONTAL CABLE BOTTOM RAIL
 Standard Cablerail Kits Cablerail Conceal Kits
 Intermediate Rail

1/8" HORIZONTAL CABLE NO BOTTOM RAIL
 Standard Cablerail Kits Cablerail Conceal Kits
 Intermediate Rail

VERTICAL CABLES
 Intermediate Rail

VERTICAL PICKETS
 Intermediate Rail

TEMPERED GLASS
 Intermediate Rail

RESIN
 Style _____

LASER CUT ALUMINUM
 Style _____

STAINLESS STEEL MESH
 Style _____

STEP 4 Select Top Rail

GRASPABLE TOP RAIL (SERIES 150)
 Post to Post Top Rail
 (Type II graspable stair profile code compliant)

RECTANGLE TOP RAIL (SERIES 200)
 Over the Post Top Rail

ELLIPTICAL TOP RAIL (SERIES 350)
 Over the Post Top Rail

LOW-PROFILE TOP RAIL (SERIES 450)
 Over the Post Top Rail
 (Wood/Composite cap not included)



Visit our website at feeneyinc.com/product/Design-Rail-Custom to learn more.

STEP 5 Select Color

Post Color _____

Top Rail Color _____

Intermediate Picket/Laser Panel Color
(If applicable) _____

STEP 6 Select Stair Post Angle

Standard Options (choose one)

- 23°-28° 29°-34° 35°-39°
- Custom angle: _____
- Blank Post (Posts will not be pre-drilled)

STEP 7 Select Upgrades

- Code-compliant Handrails Top Rail Lighting
- Intermediate Horizontal Rail Bottom Rail Lighting
- Gate(s) Post Accent Lights



BRIGHT WHITE	BRONZE
MODERN WHITE	OIL RUBBED BRONZE
COFFEE CREAM	BRICKYARD RED
SILVER	COMMODORE BLUE
DOVE GRAY	HARTFORD GREEN
IRON GRAY	
BLUE STEEL	"WOOD" TOP RAIL OPTIONS <small>(TOP RAIL SERIES 150/200)</small>
BLACK	WEATHERED GRAY
TEXTURED BLACK	CHERRY
SPARKLING CHAMPAGNE	WALNUT

SKETCH YOUR LAYOUT

** indicates required field*

When complete, email form to sales@feeneyinc.com and copy your Feeney representative.

DesignRail®

Frequently Asked Questions

Can I install DesignRail® myself?

We engineer the DesignRail® aluminum railing system to be user friendly. Basic carpentry skills and tools will accomplish most tasks. A good quality chop saw with a high quality metal cutting blade is needed for cutting and mitering the aluminum extrusions.

How durable is the powder coated finish?

Our finishes are applied in a new state of the art powder coating facility that achieves 2604-AAMA specs. In common terms this is a “marine grade” finish that performs well in even some of the harshest conditions. Plus, DesignRail® horizontal cable infill posts are drilled before they are powder coated, ensuring the powder coating is applied to the edge of the drill hole, another Feeney quality benefit! We confidently back DesignRail® with a 10 year limited warranty; for more information visit our website at feeneyinc.com/product/aluminum-railing

Do you pre-drill posts for the cables when using horizontal cable infill?

Yes, we do offer pre-drilled posts for both level and stair conditions.

Do I need a bottom rail with a 42-in tall horizontal cable system?

While not required, we highly recommend using a bottom rail with a 42” horizontal cable system. We have found that a bottom rail design not only strengthens the framework but also reduces the number of cables needed which reduces the amount of stress on the railing end posts.

Can I have single corner posts with the horizontal cable system?

Absolutely. The cables can be laced continuously through holes in a single corner post to create a 90 degree corner. With this type of corner post condition, we recommend that cable runs do not exceed 50-ft and that no more than 2 corner posts are used per cable run. This will ensure that the cables can be properly tensioned.

Why do I have to have a vertical picket between my main posts in a horizontal cable system?

The picket is not a structural component. It is an important railing element that reduces cable deflection, making it easier to meet the 4” code requirement.

Why do I have to keep the cables at 3-in on center?

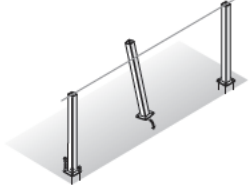
We recommend the cables be spaced 3” on center to allow for up to an inch of deflection between any two adjacent cables and still meet the 4” building code. See the CableRail FAQs on our website for specifics on horizontal CableRail Infill solutions: feeneyinc.com/faqs

What kind of mounting methods do you provide?

Surface (base) mount, fascia mount, fascia bracket mount, and stanchion mount.

DesignRail® Installation Overview

1 INSTALL POSTS



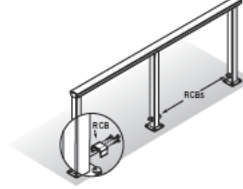
Install the posts starting with the end and corner posts, continuing on to the intermediate posts.

2 ATTACH TOP RAILS



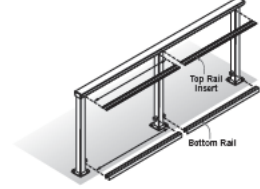
Measure and cut the top rails and attach to posts using screws. If using Series 450 top rail, cut and screw on the wood or composite cap rail. If using the Panel Infill, the top rail will go on after the panels are inserted into the frame. (see below)

3 ATTACH RAIL BRACKETS



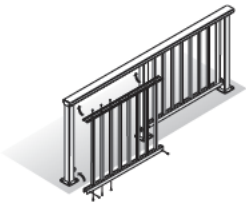
If using bottom rails, screw the Rail Connecting Brackets (RCBs) to the posts for attaching the bottom rails.

4 PREPARE INFILL SUPPORT



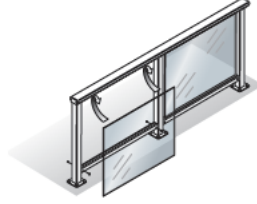
Measure and cut top rail inserts and bottom rails for each panel section.

5 INSTALL INFILL (CHOOSE ONE)



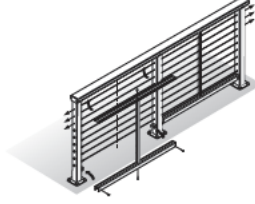
PICKET INFILL

Trim the pre-fabricated panels to length. Lift the complete panel into position on the railing frame and screw in place.



GLASS INFILL

Attach top rail insert and bottom rail to railing frame and insert vinyl liners. Lift the pre-cut panel into the top rail insert, then lower into final position in bottom rail slot.



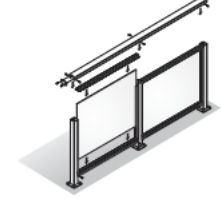
HORIZONTAL CABLE INFILL

Screw intermediate pickets to top rail insert and bottom rail (if using bottom rail), then lift into position on frame and screw in place. Lace cables through pre-drilled holes in posts and pickets, then tighten and trim.



VERTICAL CABLE INFILL

Screw intermediate pickets to top rail insert and bottom rail and loosely attach cables. Lift entire panel into position on railing frame and screw in place. Tighten nuts at bottom for final cable tension.

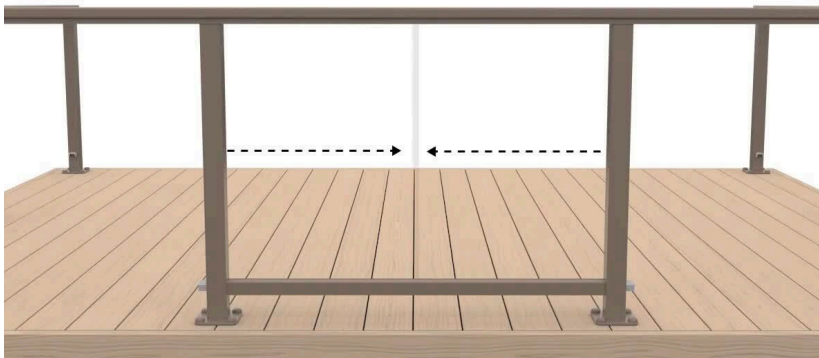


PANEL INFILL

Slide the panel into the railing frame and then attach the top rail.

Installation videos

Check out our website and our YouTube channel: [youtube.com/feeneyinc](https://www.youtube.com/feeneyinc)



Visit our website at [feeneyinc.com](https://www.feeneyinc.com) for more detailed information.



Product Support

Feeney takes pride in making it easy for our customers to succeed. That's why our team of experts are available to support you throughout the process, while ensuring that your customer's project is a success!

Call us toll free at 800-888-2418