

LEATHER SINCE 1933

M O O R E
- - & - -
G I L E S

MOOREANDGILES.COM

--

HIDE SIZES:

Hides are a natural byproduct of the meat and dairy industries. Due to the nature of this organic raw material, hides will vary in shape and size. *Please use the following diagrams as a reference for approximate hide sizes.*

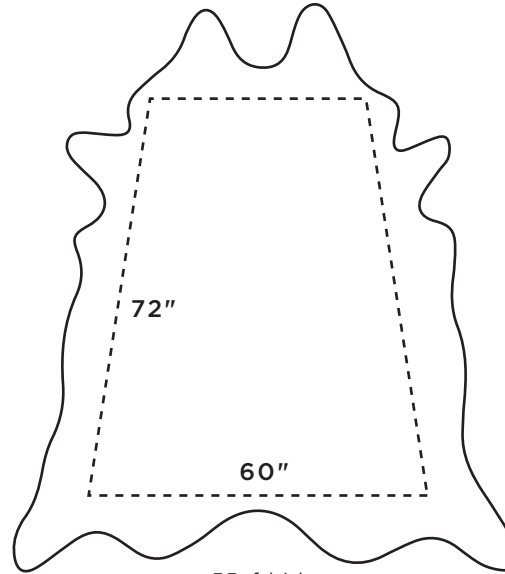
The industry-wide formula for converting fabric yardage to leather square footage is $54''ly = 18sf$. Due to the irregular shape of hides, there will always be a certain amount of waste; this formula takes waste into account. When using hides smaller than 50 square feet, the manufacturer or upholsterer should be consulted to determine if more leather is required.

An average cow hide is approximately 6 feet long from neck to butt and 4 feet wide at the middle of the hide. It is always recommended to follow the upholsterer's COL requirements to determine the square footage required.

Within each hide natural markings will be present. Belly and neck wrinkles, healed scars, and grain variation should be expected—this is the hallmark of this natural product.

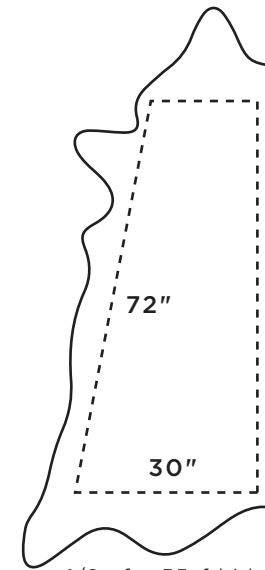
More on the next page →

FULL HIDE
average size: 50-55sf



55sf hide
72"x60"

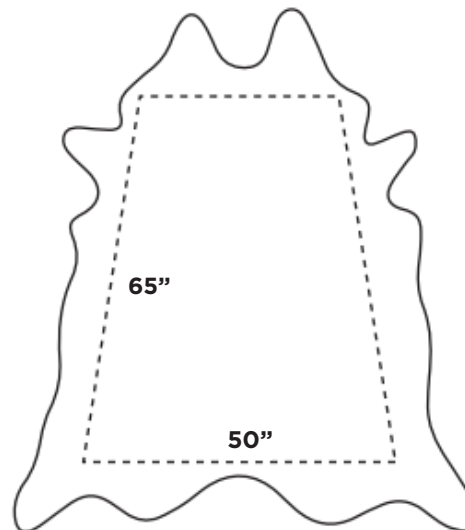
HALF HIDE
average size: 22sf



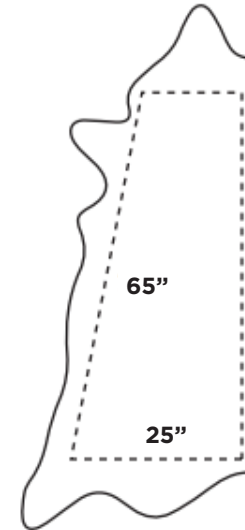
1/2 of a 55sf hide
72"x30"

BULL HIDE
average size: 35-40sf

FULL HIDE



HALF HIDE

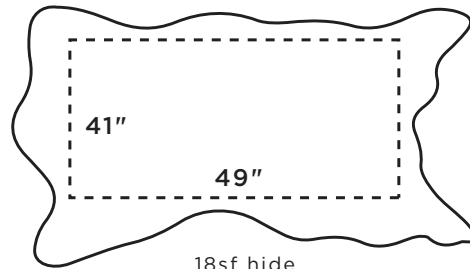


LEATHER SINCE 1933

M O O R E
- - & - -
G I L E S

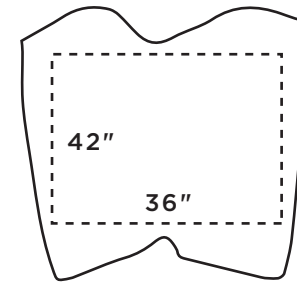
MOOREANDGILES.COM

SHOULDER
average size: 15-20sf



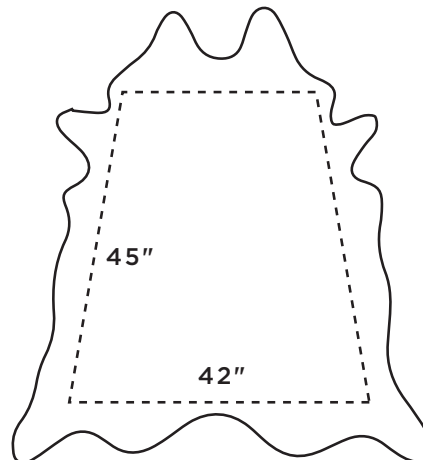
18sf hide
41"x49"

DOUBLE BUTT
average size: 18-20sf



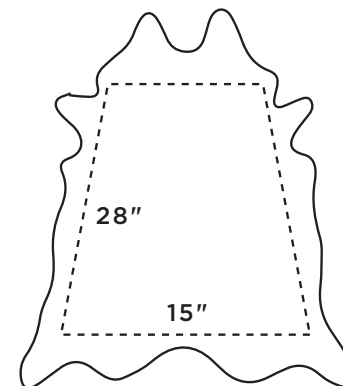
18sf hide
42"x36"

CALFSKIN
average size: 16-18sf



16sf hide
45"x42"

SHEEPSKIN
average size: 6-8sf



8sf hide
28"x15"